



### What should be in your box

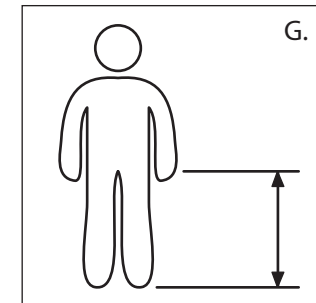
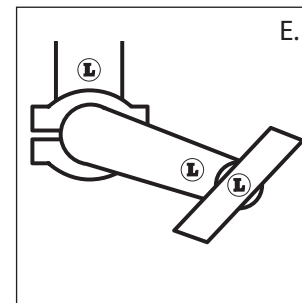
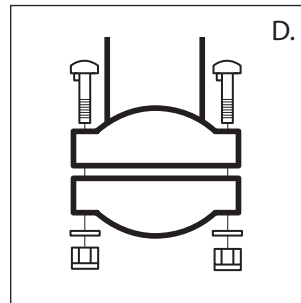
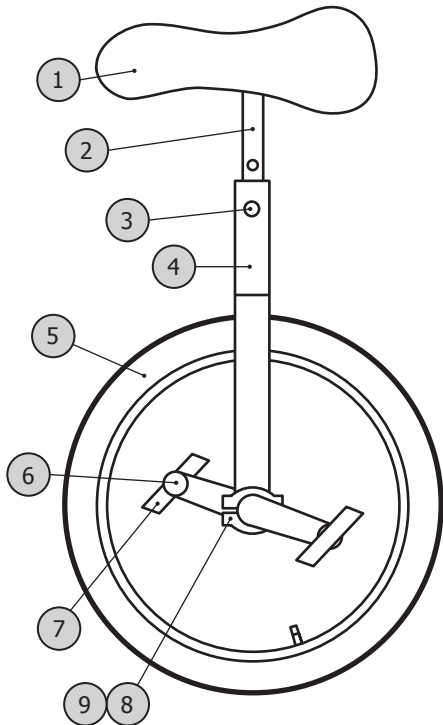
- Saddle (1) with Seatpost (2)
- Seatpost Bolt (3)
- Frame (4)
- Wheel (5) with Cranks (6)
- Pedals (7)
- Bearing Clamps - x2 (8)
- Bolts and Washers - x4 (9)
- Allen Key & Spanner

You are going to need a bicycle pump (Schrader Valve).

Your unicycle comes in kit form and should only take 15 minutes to assemble. Firstly determine that you have all the components listed, if you are short contact your supplier immediately.

### How To build your Unicycle

- Put seatpost with seat attached (2) between frame halves and secure with seatpost bolt. Make sure frame halves are even.
- Place bearing cap on the bearing. Note: there is a left and right. Be sure the seat faces forward with the left pedal and crank on the left and the right pedal and crank on the right. Insert bolt through frame mount and bearing cap making sure to line up the ridge on the bolt and slot on the frame.
- Secure each bearing cap (8) with two bolts, two nuts and two washers (9). With the 10mm wrench, tighten each nut onto each bolt.
- Bearing cap should not touch the frame but should be evenly spaced on each side. **\*\*Do not over-tighten\*\*** The wheel should spin easily; if not, loosen the nuts slightly.
- Fit the pedals (7) onto their correct cranks (6) by matching the letter on the cranks with those on the pedals. Tighten firmly using your 15mm spanner (the left hand crank has a reverse thread).
- Inflate the Tyre to the maximum pressure indicated on the side of the Tyre with the bicycle pump.
- Now set your seat to the right height (you will probably need help for this). Sit on the unicycle and move the seat so that your leg is almost straight when your foot is on the lowest pedal. If the end of the seat post rubs the top of the Tyre, you can trim it down with a pipe cutter. Remove as little as possible. Do not drill any holes into the seat post as this compromises the structure.



### Things that can go wrong

Unicycles are pretty durable but they do need maintaining, here are things to look out for:

- Loose pedals; normally found when riding or by holding the pedal and wiggle it. Tighten immediately! Check that the wheel is fitted in the frame the correct way around. Riding on loose pedals will destroy the cranks.
- Loose cranks; this is normally characterised by a creaking noise. Tighten the axle bolt immediately! If this is left loose it will destroy the crank and hub and to all intent and purpose the unicycle.
- Loose or tight bearing holder bolts; it is most common to find these too tight and the wheel not spinning correctly. Loosen them to free the wheel, after a few minutes of use check that they are still tight enough to stay on.