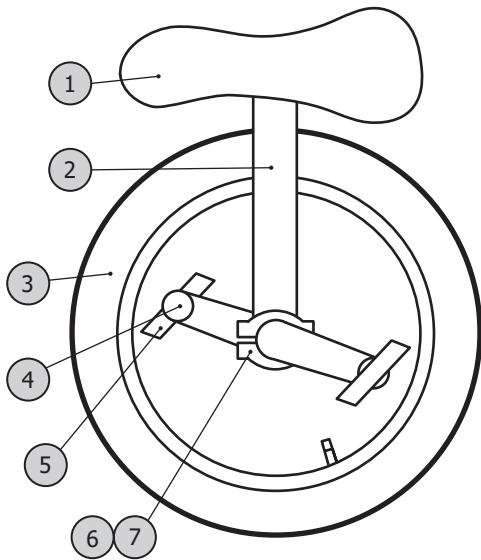


Unicycle.com

What should be in your box

- Saddle ①
- Frame ②
- Wheel ③ with Cranks ④
- Pedals ⑤
- Bearing Clamps - x2 ⑥
- Bolts and Washers - x4 ⑦

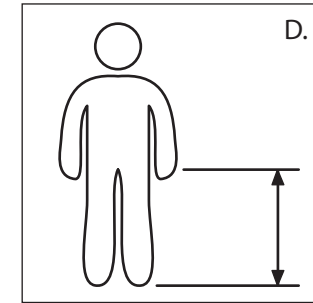
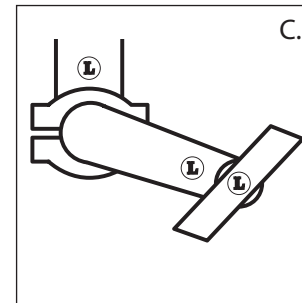
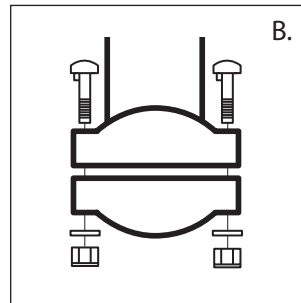
You will need a 10mm wrench, 15mm pedal bicycle type wrench and Bicycle pump (car valve)



Your unicycle will require some assembly and should take only 5 minutes to complete. First, determine that you have all the components listed and if not contact your supplier immediately.

How To build your Unicycle

- Fit the wheel (3) into the frame; be sure you have the right hand crank on the right hand side of the unicycle when it is facing forward
- Secure the wheel using bolts, washers and nuts (see diagram). Be sure that the bolt sits flush and that the tag on the base of the bolt fits within the slot in the frame. Tighten with a 10mm wrench. Do not over tighten; they only need to be tight enough to hold the wheel in place without it rattling. The wheel should spin easily; if it does not, loosen the bolts until it does. The bearing caps do not touch when assembling the unicycle.
- Fit the pedals (5) onto their correct cranks (4) by matching the letter on the cranks with those on the pedals. Tighten firmly using your 15mm bicycle type wrench (the left hand crank has a reverse thread).
- Use the valve on the tube, to check that the tire is pumped up to the appropriate pressure. Tire pressure depends on personal preference. In general, tire pressures for freestyle or road riding should be very firm, while tire pressures for Muni and trials are somewhat lower. Experiment with this until you find a tire pressure that you like.



Things that can go wrong

Unicycles are pretty durable but they do need maintenance. Here are things to look out for in addition to checking for loose bolts:

- Loose pedals; found when riding or by holding the pedal, it will wobble. Tighten immediately! Check that the wheel is facing in the correct direction. Riding on loose pedals will destroy the cranks. These are not warranty applicable parts, so make sure to check your cycle regularly to avoid problems!
- Loose cranks are normally characterised by a creaking noise. Tighten the axle bolt immediately! If this is left loose it will destroy the crank and hub interface.
- Loose or tight bearing holder bolts; it is most common to find these too tight and the wheel not spinning correctly. If the bearing holders are left too tight for too long, the bearings and/or the bolts will break. Loosen them to free the wheel; after a few minutes of use check that they are still tight enough to stay on.
- Always check that all the nuts and bolts are tightened correctly before riding.
- Always wear safety gear. Safety is your own responsibility.