

## What should be in your box

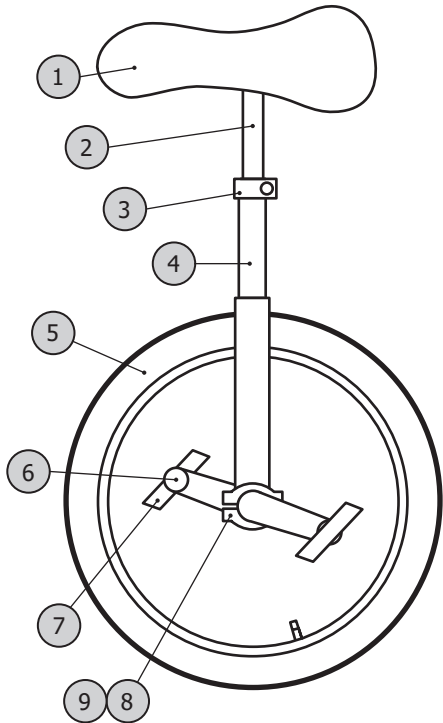
- Saddle (1) with Seatpost (2)
- Seatpost Clamp (3)
- Frame (4)
- Wheel (5) with Cranks (6)
- Pedals (7)
- Bearing Clamps - x2 (8)
- Bolts and Washers - x4 (9)

# HOPPLEY

Your unicycle will require some assembly and should take only 15 minutes to complete. First, determine that you have all the components listed and if not contact your supplier immediately.

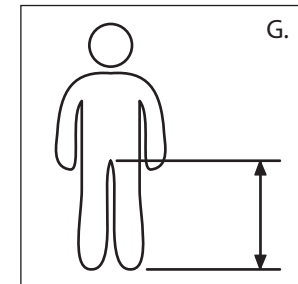
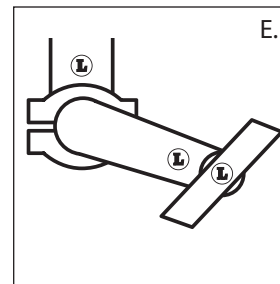
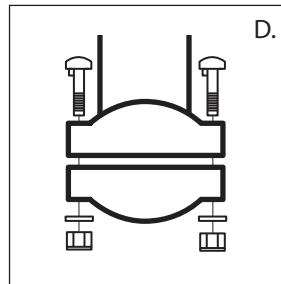
## How To build your Unicycle

- Take the frame (4) and slip the quick release and collar (3) over the frame. The slot in the frame should line up with the slot in the clamp this is the back of your unicycle. The quick release clamp lever should be on the right hand side.
- Insert the seat and seatpost (2) into the frame (4). Set the quick-release by holding the lever open then tighten the thumb screw on the opposite side until it is just finger tight. Then close the quick-release lever to lock the seatpost in position. Repeat process until the correct tension is found. If it is too tight it will damage the bolt, if it is too slack it will not hold the seatpost securely.
- Fit the wheel (5) into the frame; be sure you have the right hand crank (6) on the right hand side of the unicycle when it is facing forward
- Fix using the bolts, washers and nuts (see diagram). The bolt should sit flush with the frame with the tag under the bolt head sitting within the slot on the frame. Tighten with a 10mm wrench. Do not over tighten, the wheel should spin easily, if it does not, loosen the bolts slightly. The bearing caps do not touch when assembling the unicycle.
- Fit the pedals (7) onto their correct cranks (6) by matching the letter on the cranks with those on the pedals. Tighten firmly using your 15mm wrench (the left hand crank has a reverse thread).
- Use the valve on the tube to check that the tire is pumped up to the appropriate pressure. Tire pressure depends on personal preference. In general, tire pressures for freestyle or road riding should be very firm, while tire pressures for Muni and trials are somewhat lower. Experiment with this until you find a tire pressure that you like.
- Now set the seat at the right height. When sitting on the unicycle, with your heel on the pedal your leg should be straight. If you cannot get your seat low enough you will need to shorten the seatpost (2). This is best done with a pipe cutter, but you can use a hacksaw and file. Remove as little as is needed. Always have at least 2 inches of the seatpost in the frame.



### You are going to need:

- Bicycle pump (Schrader Valve).
- 10mm Wrench or Socket
- 15 mm Wrench



## Things that can go wrong

Unicycles are pretty durable but they do need maintaining, here are things to look out for:

- Loose pedals; normally found when riding or by holding the pedal and wiggle it. Tighten immediately! Check that the wheel is fitted in the frame the correct way around. Riding on loose pedals will destroy the cranks.
- Loose cranks; this is normally characterised by a creaking noise. Tighten the axle bolt immediately! If this is left loose it will destroy the crank and hub and to all intent and purpose the unicycle.
- Loose or tight bearing holder bolts; it is most common to find these too tight and the wheel not spinning correctly. Loosen them to free the wheel, after a few minutes of use check that they are still tight enough to stay on.