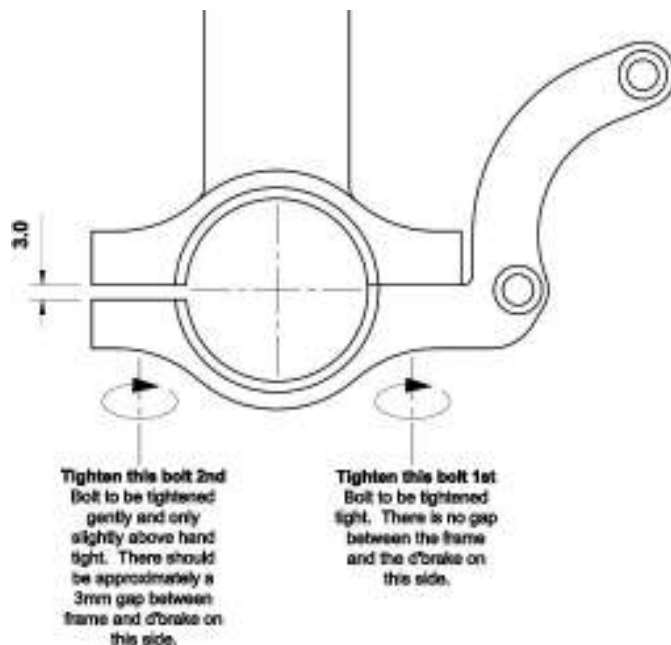


## Mounting a brake using a d'brake mount

The d'brake has been designed to have the disc running on the inside of the frame keeping it well out the way and allowing the rider to use their existing cranks. The d'brake uses the IS (International standard, Front) two bolt configuration for cycle disc brakes. This allows you to run any caliper/disc combination without having to modify the mount in any way.

### Instructions:

1. Take the wheel out of the frame. Remove the Left crank, spacers and Left bearing from the hub.
2. Place the disc on to the hub the correct way around. Note that the disc has a direction and an "outside" printed on it.
3. Install using the 6 bolts provided. Tighten these incrementally so that the disc is tightened up evenly. This helps keep the disc straight.
4. Refit the bearing, spacers and cranks to the hub.
5. Fit the IS mount (or caliper if your model has it built in) to the d'brake mount. Use the bolts provided and tighten up well.
6. Install the caliper on to the IS mount using the bolts provided. The brake should be fitted in the middle of the slots.
7. Mount the wheel in to the frame and loosely tighten the right bearing housing.
8. Slide the brake caliper over the disc and the d'brake over the bearing.
9. Tighten the bolt of the clamp nearest to the brake down hard.



10. Tighten other bearing housing bolts until secure, but do not over tighten.
11. Check that the wheel spins without the brake touching the disc, if it does adjust the bearing housing bolts in slots until it is clear.