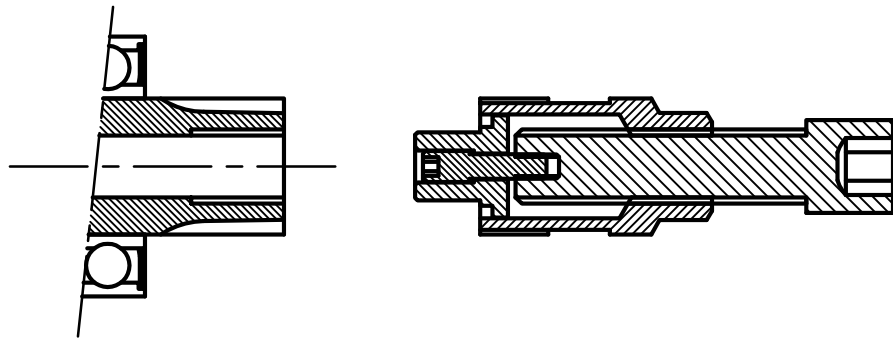


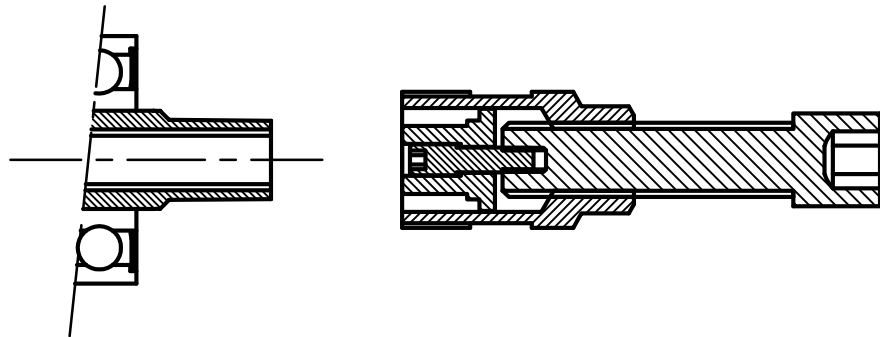
Unicycle.com

This crank extractor can be used with the majority of the modern crank fittings without modification or additional parts. Before installing in the crank the extractor needs to be setup as shown.

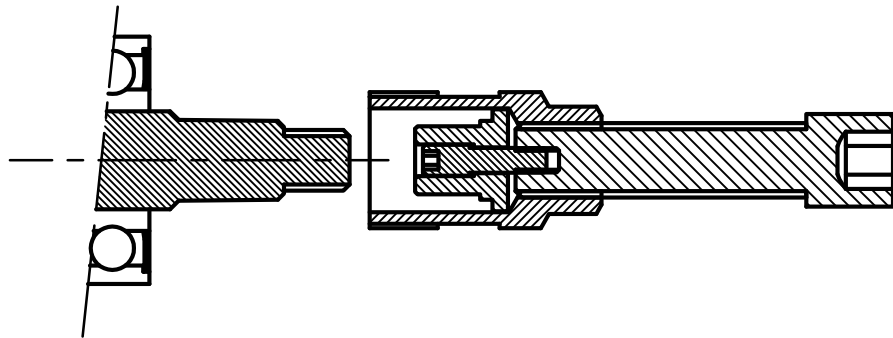
ISIS
Interface



Cotterless
Interface
(with bolt)



Cotterless
Interface
(with nut)



How to Use a Crank Extractor

1. Remove crank dust cap from centre of crank (if fitted).
2. Remove the nut/bolt using a 14mm spanner or 8mm allen key. (Anti-clockwise)
3. Screw the extractor outer section clockwise into the crank arm fully and tighten with spanner.
4. Screw the central shaft clockwise with an 8mm allen key. This will push the crank off the axle stub. Sometimes a lot of force is often needed.
5. When the crank is loose unscrew the outer threaded section to separate it from the crank.

If you require any other tools or spare parts for your unicycle, please check Unicycle.com. Alternatively please don't hesitate to contact us if you need assistance with any parts or tools.